

# DİNUY



## Dinulink KNX



# Laüka

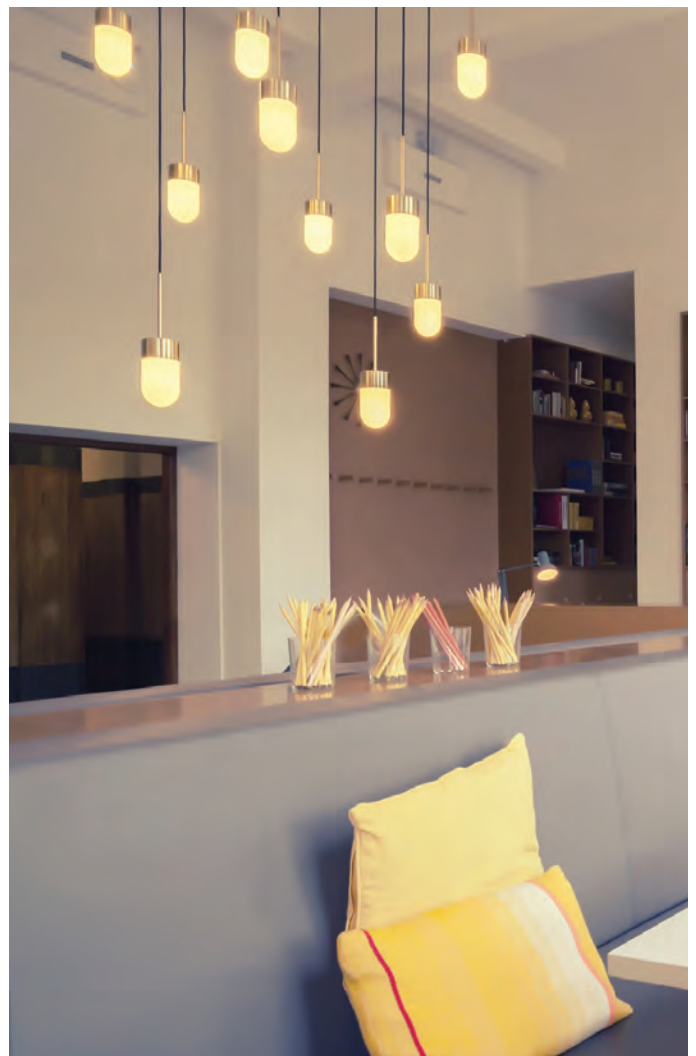
In Basque. *Lauki*. Sp. *Cuadrado,-da*

1. Flat shape: Closed by four straight lines forming four straight corners.
2. Simple and exact.



## Control

The Laüka series is a range of KNX multifunctional capacitive buttons. A switch designed to provide full control to the user over the lighting, the blinds and, in turn, the ability to memorize scenes to generate desired atmospheres at any time.





## Versatility

The button is created to meet the diverse needs of both professional and private types of installations.

Home, Commerce, Restaurants, Offices, Hotels, Lobbies, Auditoriums...



### Backlit

Custom light color



### Materials

Copper Chrome Brass Wood



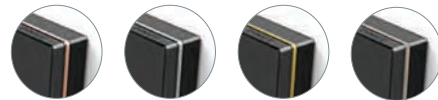
### Backlit

Custom light color



### Materials

Copper Chrome Brass Wood



Laūka 8 button model



## Integration

For the perfect integration in all types of interiors, the Laūka range consists of different types of finishes in lights and materials



1



2



3



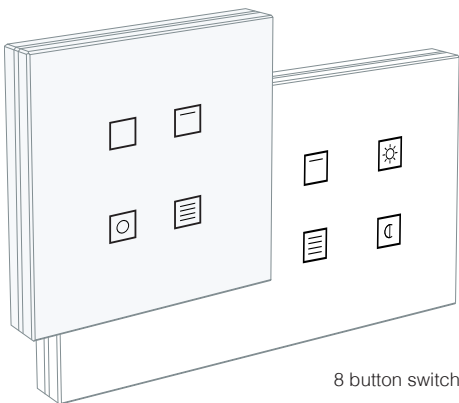
4

- 1 Composition
- 2 Unit
- 3 Night backlit
- 4 Width

## Quality

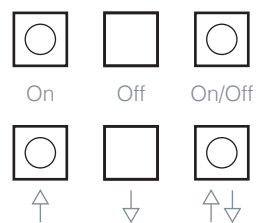
The visible quality of the product originates from good workmanship of its materials. Consisting of the use of three materials creating a resistant and long-lasting unit. The LED indicators of the tactile buttons assure perfect functionality bit by day and by night.

4 button switch

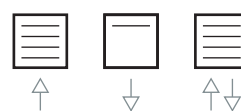


8 button switch

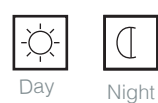
### Light



### Blind

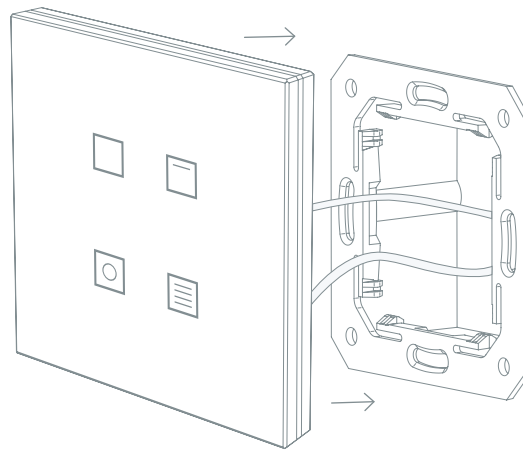
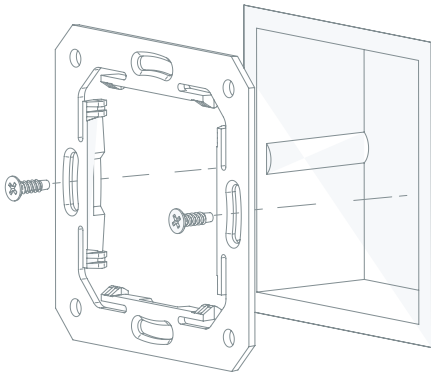


### Scenarios



## Functionality

The switch is formed by 4/8 tactile buttons where direct functions can be assigned to control lighting, move the blinds or memorize moments creating personalized scenes. It incorporates temperature sensors and a configurable thermostat function that can be adjusted from the ETS.



## Speed

The switch can be easily and rapidly installed and prepared for use. Only two cables are needed from the KNX bus.

- Glass tactile surface
- 4/8 pressing areas
- Luminous control icons (LEDs)
- The LEDs illuminating the icons can be programmed
- Coupling unit to the KNX bus incorporated
- Incorporated temperature sensor

# TWISTED KNX (KNX-PT)

This range consists of a variety of sensors and actuators to control lighting, blinds, heating and air conditioning.

## SENSORS

### EM KNT 001: 4-channels Universal Interface

The 4-channel pushbutton interface is equipped with 4 independent channels which may be used as inputs or also as outputs, depending on the parameterization with the ETS4.

The interface can evaluate at its potential-free inputs up to 4 pushbutton/switch states with a common reference potential and send the corresponding telegrams.

As an alternative, the 4 channels can control up to 4 LEDs as independent outputs.

This device is flush mounted in a universal box, behind the pushbutton/switch.

Dimensions: 38 x 42 x 15mm. The outputs are protected against short-circuit, overload and wrong polarity. The interface provides different functions like:

- Switch: Switch ON / OFF.
- Switch / Dimmer: ON / OFF / Dimming UP/DOWN.
- Multiple Switch: ON / OFF depending on the number of pulses.
- Value Sending: sends different measures or values, for example: light level, temperature,...
- Blind/Shutter Control: MOVE UP / MOVE DOWN / STEP UP / STEP DOWN blinds/shutters.
- Sequential Switch: sequential ON/OFF.
- Scenes Control: SAVE / RECOVER scenes.
- Pulse Counter: allows, for example, counting the number of operations.
- LED activation: to inform about an operation.



### EM KNT 002: 4-channels Analog/Digital Interface

The 4-channel Analog/Digital interface is equipped with 4 independent channels which may be used as inputs for Analog or Digital signals.

Each channel may be used depending on the parameterization by the ETS4:

- Binary inputs: The interface can evaluate at its potential-free inputs up to 4 pushbutton/switch states with a common reference potential and send the corresponding telegrams.

- Analog inputs: Can work as temperature sensor by connecting a temperature probe (ST KNT 001 or ST KNT 002).

- Thermostat: It can be configured and enabled 4 independent thermostats.

This device is flush mounted into a universal box, behind the pushbutton/switch. The outputs are protected against short-circuit, overload and wrong polarity. Dimensions: 38 x 42 x 15mm. The interface provides different functions like:

- Switch: Switch ON / OFF.
- Switch / Dimmer: ON / OFF / Dimming UP/DOWN.
- Multiple Switch: ON / OFF depending on the number of pulses.
- Sequential Switch: sequential ON/OFF.
- Blind/Shutter Control: MOVE UP / MOVE DOWN / STEP UP / STEP DOWN blinds/shutters.
- Value Sending: sends different measures or values, for example the light level, temperature,...
- Scenes Control: SAVE / RECOVER scenes.
- Pulse Counter: allows, for example, counting the number of operations.
- Temperature sensor: sends the measured temperature.
- Thermostat: It can be configured and enabled 4 independent thermostats.



### ST KNT 001 y ST KNT 002: Temperature Probes

Two different temperature probes:

· ST KNT 001:

- NTC Epoxy Temperature probe.
- High accuracy and stability over a wide temperature range.
- A cable of 3m length is included.
- Ø7mm.



· ST KNT 002:

- NTC Epoxy Temperature probe.
- High accuracy and stability over a wide temperature range.
- A cable of 0.5m length is included.
- Ø5mm.



## SENSORS

### DM KNT 001 / DM KNT 002 / DM KNT 003: Detectores de Movimiento

KNX PIR motion detector.

The Lux level and Time delay can be set with the potentiometers, by using the IR remote control (EM MAN DM0) or via ETS3.

One PIR sensor and a high resolution lens can detect the smallest movement.

The built-in light sensor measures the brightness on a continuous basis and compares it to the level preset on the potentiometer (or by means of the remote control EM MAN DM0 or by ETS parameter).

Depending on the parameterization by ETS, this detector can work as:

- Motion detection: depending on the movement and the daylight.
- Twilight switch: Teach-in brightness threshold for daylight-dependent switching.
- Constant light control: with dimming telegrams.
- Signal monitoring: motion detection without brightness sensor.
- Brightness sensor: light sensor without motion detection.
- Temperature sensor: sends the temperature value.

Different formats:

- DM KNT 001: Flush ceiling mounted. Coverage of 360° and maximum Ø7m at 2.5m high.
- DM KNT 002: Wall mounted. Coverage of 180° and maximum 10m at 2m high.
- DM KNT 003: Universal box mounted. Coverage of 200° and maximum 8m.



## ACTUATORS

### IT KNT 001: 1-channel Blind Actuator or 2-channel Switch

1-channel blind/shutter actuator or 2-channel switching actuator.

Up to 16A switching capacity per channel with 2 free-voltage relays.

Supplied by the Bus.

Modular installation device. DIN-rail mounting. 1-module wide.

It incorporates two Potentiometers, each one for each output channel. It allows manual output control for a provisional operation (even without bus connection) when it works as switching actuator:

- ON: Permanent Manual ON mode.
- OFF: Permanent Manual OFF mode.
- Auto: Bus operation. Programming and commissioning by ETS3.

Different functions can be enabled by the ETS in each channel:

- Timer: staircase lighting, on/off delay or flashing.
- Preset: on/off via telegram.
- Scene: 8bits.
- Logic operation: AND, OR or XOR.
- Forced operation.
- Threshold function setup.

### IT KNT 004 / IT KNT 012: 4/12 - channel Switch Actuator

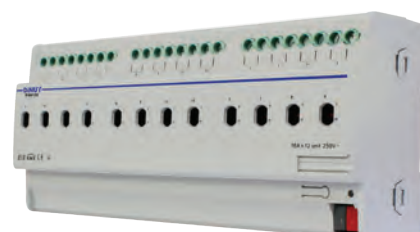
Modular switch actuators with 4 or 12 output channels for EIB/KNX Bus installations. Programming and commissioning by ETS3 or later.

It is able to switch 4 or 12 independent electrical AC loads or three-phase loads by the switch actuators with maximum output of 16A per output

Manual operation on device by Potentiometer (even without bus connection).

There are same following programming functions for each output:

- Time function: on/off delay.
- Staircase function with the warning and adjustable staircase lighting time.
- Scene, preset control: 8bit/1bit.
- Logic operation: AND, OR, XOR, gate function.
- Status response.
- Forced operation and safe function.
- Threshold function setup.
- Control of electro thermal valve function.
- Selection of preferred status after bus voltage failure and recovery.



# ACTUATORS

## RE KNT 000 / RE KNT 004: 1/4 - Channel Universal Dimmer

Universal Dimming Actuator for switching and dimming LED lamps, incandescent lamps, Halogen lamps and CF lamps. Leading or Trailing edge dimming.

1-channel (RE KNT 000) or 4 - channel (RE KNT 004). The device has integrated overload, short-circuit and over-heating protection. Softstart function to increase lamp life time.

Modular installation device. DIN-rail mounting. 5-modules wide.

Manual operation on device by Potentiometer (even without bus connection).

Anti-panic input for safety systems.

Programming and commissioning by ETS3 or later.

Valid for:

- Incandescence and 230V Halogen lamps.
- LV Halogen lamp with ferromagnetic transformer.
- LV Halogen lamp with electronic transformer.
- Dimmable 230V LED lamps.
- Dimmable 12V~ LED lamps (electronic transformer).
- Dimmable Compact Fluorescent lamps.



## RE KNT DA1: DALI Dimmer

3-channels modular DALI dimming actuator (up to 64 equipments).

Unidirectional and Broadcasting communication with the lighting fixtures.

The device has integrated overload, short-circuit and over-heating protection.

Modular installation device. DIN-rail mounting. 5-modules wide.

Manual operation on device by Potentiometer (even without bus connection).

Anti-panic input for safety systems.

Programming and commissioning by ETS3 or later.



## RE KNT 110: 1/10V<sub>DC</sub> Dimmer

3-channels modular 1-10V<sub>DC</sub> dimming actuator (up to 200 equipments).

The device has integrated overload, short-circuit and over-heating protection.

Anti-panic input for safety systems.

Modular installation device. DIN-rail mounting. 5-modules wide.

Manual operation on device by Potentiometer (even without bus connection).

Programming and commissioning by ETS3 or later.



## RE KNT RGB: RGBW Dimmer

4-channel modular RGBW dimming actuator.

Up to 10A per channel and 40A in total maximum.

Modular installation device. DIN-rail mounting. 5-modules wide.

Protected against overload, short-circuits and overheating.

Supplied by 12V or 24V.





# COMMUNICATION

## CO KNX 002: KNX-RF / KNX Bus Gateway

The Media Coupler connects wireless KNX devices (KNX-RF) with the KNX Bus (KNX-TP).

Therefore wired actuators can be controlled by wireless sensors as well as wireless actuators can be controlled by wired transmitters (bidirectional communication).

Can be used together with devices to control lighting, HVAC, blinds/shutters and main purpose devices.

In addition, the coupler can act as RF retransmitter.

Is able to forward the battery status of connected wireless devices to the KNX Bus.

Commissioning by ETS4 or later.

Dimensions: 78 x 28 x 23mm.



The Gateway comes with 16 channels that can be assigned to one of the following functions:

- Light channel.
- HVAC channel.
- Common channel.
- Shutter/Blind channel.

## CO KNT 001: DINUY Dimmers / KNX Interface

Communication interface between DINUY conventional Dimmers and any KNX-TP sensor.

Compatible with all DINUY modular dimmers. Unidirectional communication.

It allows switching ON/OFF, Dim and save or recall up to 8 lighting scenes.

Modular installation device. DIN-rail mounting. 1-module wide.

Manual operation on device by Potentiometer (even without bus connection).

Anti-panic input for safety systems.

Programming and commissioning by ETS3 or later.



## CO KNT 002: USB / KNX Interface Stick

KNX-USB Interface Stick for the programming of the KNX installation.

Establishes a bidirectional connection between a PC and the KNX installation bus.

Galvanic separation from the KNX bus.

Supported by ETS3 or later.



# SYSTEM DEVICES

## FA KNT 001: POWER SUPPLY 640mA

EIB/KNX power supply produces and monitors EIB/KNX system voltage.

The bus line is decoupled from the power supply with the integrated choke.

A 30VDC auxiliary voltage is made available via an additional connection terminal.

This voltage can be used to supply a further bus line (in connection with a separate choke).

The power supply is connected to the bus line with a bus connection terminal.

A reset is triggered by pressing the reset push button and lasts 22 seconds (regardless of the duration of the push button action).

The bus line disconnected from the power supply and the devices connected to this bus line are returned to their initial state.

Modular installation device. DIN-rail mounting.



# RADIO-FREQUENCY DEVICES

This range consists of a variety of wireless sensors and actuators to control lighting, blinds, heating and air conditioning. No wires required.

All these products are KNX–RF compatible.

They work in 868,4MHz with a range of 100m (free field).

## SENSORS

### EM KNX 002: 1-channel Universal Interface

The universal interface transmits different command telegrams for one channel. The inputs are activated by two independent pushbutton commands, for instance, by using 2 pushbuttons (n.o. contacts).

Installation into universal mechanism box, behind the pushbutton.

Battery–operated: 2 x 3V Lithium Battery CR2025. Useful life higher than 8 years.

Compatible with: CO KNX 001, IT KNX 001, CO KNX 002, PE KNX 001, MI KNX 001, RE KNX LE1, RE KNX LE2, RE KNX LE3, RE KNX RGB, RE KNX 010 & RE KNX DA1.



### PU KNX 001: 1-channel Pushbutton

The portable pushbutton transmits different command telegrams for one channel.

Portable or wall fix mounted.

Battery–operated: 2 x 3V Lithium Battery CR2025. Useful life higher than 8 years.

Compatible with: CO KNX 001, IT KNX 001, CO KNX 002, PE KNX 001, MI KNX 001, RE KNX LE1, RE KNX LE2, RE KNX LE3, RE KNX RGB, RE KNX 010 & RE KNX DA1.



### RC KNX 001: 5-channels Remote Control

The Remote Control transmits different command telegrams for 5 different channels.

Battery–operated: 1 x 3V Lithium Battery CR2032. Useful life higher than 8 years.

Compatible with: CO KNX 001, IT KNX 001, CO KNX 002, PE KNX 001, MI KNX 001, RE KNX LE1, RE KNX LE2, RE KNX LE3, RE KNX RGB, RE KNX 010 & RE KNX DA1.



### SE KNX 001: Temperature Sensor

Wireless temperature sensor. Sends the temperature value measured in the place where it is installed.

Portable or wall fix mounted.

Battery–operated: 2 x 3V Lithium Battery CR2032. Useful life higher than 8 years.

Compatible with: TM KNX 001 & CO KNX 002.

Dimensions: 78 x 28 x 23mm.

The temperature value is transmitted whenever one of these three situations happen:

- Temperature change higher than  $\pm 0,5 \text{ }^\circ\text{C}$ .
- 15 minutes after the last transmission.
- Pressing the internal link key.



# SENSORS

## SE KNX 002: Luminosity Sensor for Sun Protection

Wireless Luminosity sensor transmitter for Sun protection function. It is designed for the automatic control of shutters or blinds. According to the measured luminosity, it controls the raising or lowering of the shutters/blinds to provide sun protection.

Luminosity is measured by the sensor attached to the window with a sticker.

The product does not transmit luminosity values.

Battery-operated: 2 x 3V Lithium Battery CR2032. Useful life higher than 8 years.

Compatible with: PE KNX 001 & CO KNX 002.

Dimensions: 78 x 28 x 23mm.



## SE KNX 003: Door/Window Contact

The opening detector is a battery powered wireless transmitter. It allows the opening and closing of a door or window to be reported by the status indication telegram. Each telegram is sent twice ensuring a highest security in the transmission. Installation in the frame of a door or window.

Battery-operated: 2 x 3V Lithium Battery CR2032.

Useful life higher than 8 years. Compatible with: TM KNX 001, IT KNX 001, MI KNX 001 & CO KNX 002.

Dimensions: 78 x 28 x 23mm.



## SE KNX 004: Temperature Sensor with Setting Knob

Wireless temperature sensor with desired temperature value control knob.

Incorporates a wheel to set the desired temperature in the room.

Battery-operated: 1 x 3V Lithium Battery CR2450. Useful life higher than 8 years.

Compatible with: TM KNX 001 & CO KNX 002.

Dimensions: 78 x 28 x 23mm.

This sensor sends the following variables:

- Measured temperature value in this moment.
- Value set in the sensor.
- State (Standby or Auto).



## SE KNX 005: Temperature Sensor with Probe

Wireless temperature sensor transmitter with Probe for heating floors. Sends the temperature value in the place where the probe is installed. Specially indicated for underfloor heating installations. The temperature is sent every minute.

Power supply: 230V~ 50Hz.

Compatible with: TM KNX 001 & CO KNX 002.

Dimensions: 45 x 45 x 12mm.



## SE KNX 006: Luminosity Sensor

Wireless Luminosity sensor transmitter for daylight control. It is designed for the automatic control of lighting. According to the measured luminosity, it controls the light level.

Its utility is to send the existing Lux value to the lighting actuator.

Battery-operated: 2 x 3V Lithium Battery CR2032. Useful life higher than 8 years.

Compatible with: RE KNX 102, RE KNX DA2 & CO KNX 002. Dimensions: 78 x 28 x 23mm.



## SE KNX 007: Luminosity Sensor with Setting knob

Wireless Luminosity sensor transmitter with threshold temperature value for daylight control.

It is designed for the automatic control of lighting. According to the measured luminosity and the value set by the control knob, it controls the light level.

Its utility is to send the existing Lux value to the lighting actuator.

Battery-operated: 2 x 3V Lithium Battery CR2032. Useful life higher than 8 years.

Compatible with: RE KNX 102, RE KNX DA2 & CO KNX 002.

Dimensions: 78 x 28 x 23mm.



# SENSORS

## DM KNX 001 Flush-ceiling Wireless Motion Detector

Battery-operated wireless flush ceiling mounted PIR motion detector for lighting, heating and air conditioning control.

Built-in light sensor, allowing to limit the operation of the detector to daylight. As soon as it detects movement, the sensor sends the ON signal to the linked receiver and its contact keeps closed. The ON time must be set on the receiver.

It has 2 function MODES:

- Motion Detector: useful to control lighting for example.
- Presence detector, useful to control heating and air conditioning.
- Incorporates Temperature sensor
- Flush-ceiling mounting.
- Coverage: 360° and Ø7m at 2,5m high.
- Compatible with: IT KNX 001, MI KNX 001 and CO KNX 002.



## DM KNX 002: Wall mounting Wireless Motion Detector

Battery-operated wireless wall mounted PIR motion detector for lighting.

Built-in light sensor, allowing to limit the operation of the detector to daylight.

As soon as it detects movement, the sensor sends the ON signal to the linked receiver and its contact keeps closed. The ON time must be set on the receiver.

- Wall mounting installation.
- Power Supply: 2x3V AA Lithium Batteries. Working life over 15 years.
- Coverage: 180° and Ø10m at 2m high.
- Compatible with: IT KNX 001, MI KNX 001 and CO KNX 002.



# ACTUATORS

## IT KNX 001: 1-channel Switch

230V-operated 1-channel switch for general purpose.

Can be switched receiving RF telegrams or through a wired pushbutton.

Up to 16A switching capacity with free-voltage relay.

Functions: Switch ON/OFF or Timer (3sec ~ 10min).

In addition, the switch can act as RF retransmitter.

Modular installation device. DIN-rail mounting. 1-module wide.

Compatible with: EM KNX 002, PU KNX 001, RC KNX 001, SE KNX 003, DM KNX 001 & CO KNX 002.



## MI KNX 001: 1-channel Switch

230V-operated 1-channel switch actuator for general purpose.

Can be switched receiving RF telegrams.

Up to 16A switching capacity with free-voltage relay.

Functions: Switch ON/OFF or Timer (3sec ~ 5min).

In addition, the switch can act as RF retransmitter.

Junction box mounting. Dimensions: 55 x 53 x 34mm.

Compatible with: EM KNX 002, PU KNX 001, RC KNX 001, SE KNX 003, DM KNX 001 & CO KNX 002.



# ACTUATORS

## PE KNX 001: 1-channel Blind Actuator or 2-channel Switch

230V-operated 1-channel blind/shutter actuator or 2-channel switching actuator.

Up to 16A switching capacity per channel with 2 free-voltage relays. It incorporates 2 auxiliary inputs which allow the control by 2 wired pushbuttons.

It can be activated by a wireless sensor or by two wired pushbuttons. Dimensions: 107 x 53 x 34mm.



## TM KNX 001: 1-channel Thermostat

230V-operated 1-channel Thermostat actuator for HVAC control.

It incorporates a potentiometer which allows setting the desired temperature avoiding any undesired manipulation.

Every time it receives a signal of temperature from the sensor it will be compared with the already set in the thermostat and will act accordingly on its relay.

It also can receive telegrams from door/window contacts or presence detectors.

Up to 16A switching capacity with free-voltage relay.

In addition, the switch can act as RF retransmitter.

Compatible with: SE KNX 001, SE KNX 003, SE KNX 004, DP KNX 001 & CO KNX 002.

Modular installation device. DIN-rail mounting. 1-module wide.



## RE KNX LE1: 1-channel Dimmer for LED Lamps

230V-operated 1-channel IGBT Universal Dimmer.

Leading or Trailing edge dimming technology: Incandescent and 230V Halogen lamps, 12V Halogen lamps with inductive or electronic transformer, 230V and 12V LED lamps.

It can be controlled by wired pushbuttons and/or wireless transmitter.

In addition, the dimmer can act as RF retransmitter.

Junction box mounting. Dimensions: 55 x 53 x 34mm.



## RE KNX LE2: 1-channel Dimmer for LED Strips

12V-48V operated 1-channel Dimmer for LED Strips.

Pulse Width Modulation (PWM) dimming technology.

Up to 8A dimming capacity.

It can be controlled by wired pushbuttons and/or wireless transmitter.

In addition, the dimmer can act as RF retransmitter.

Junction box mounting. Dimensions: 55 x 53 x 34mm.

Compatible with: EM KNX 002, PU KNX 001, RC KNX 001 & CO KNX 002



## RE KNX LE3: 1-channel Dimmer for LED Strips

12V-48V operated 1-channel Dimmer for LED Strips.

Pulse Width Modulation (PWM) dimming technology.

Up to 4A dimming capacity.

It can be controlled by wireless transmitters.

In addition, the dimmer can act as RF retransmitter.

Junction box mounting.

Dimensions: 45 x 45 x 12mm.

Compatible with: EM KNX 002, PU KNX 001, RC KNX 001 & CO KNX 002.



# ACTUATORS

## RE KNX RGB: 3-channel Dimmer for RGB LED Strips

12V–48V operated 3–channel wireless Dimmer for RGB LED Strips. Pulse Width Modulation (PWM) dimming technology.

Up to 5A dimming capacity per channel.

It can be controlled by wireless transmitters. 3 output channels (R, G & B) and 4 working channels (R, G, B & RGB).

In addition, the dimmer can act as RF retransmitter.

Dimensions: 107 x 53 x 34mm.

Compatible with: RC KNX 001 & CO KNX 002.



## RE KNX 010: 1-channel Dimmer for 1/10V Ballasts or Drivers

230V–operated 1–channel Dimmer for 1/10V Ballasts.

Up to 100 ballasts can be controlled by only one dimmer.

It can be controlled by wired pushbuttons and/or wireless transmitter.

In addition, the dimmer can act as RF retransmitter.

Junction box mounting.

Dimensions: 55 x 53 x 34mm.

Compatible with: EM KNX 002, PU KNX 001, RC KNX 001 & CO KNX 002.



## RE KNX DA1: 1-channel Dimmer for DALI Ballasts or Drivers

230V–operated 1–channel Dimmer for DALI Ballasts.

Up to 64 ballasts can be controlled by only one dimmer.

It can be controlled by wired pushbuttons and/or wireless transmitter.

In addition, the dimmer can act as RF retransmitter.

Junction box mounting.

Dimensions: 55 x 53 x 34mm.

Compatible with: EM KNX 002, PU KNX 001, RC KNX 001 & CO KNX 002.



## RE KNX 102: Daylight controller for 1/10V Ballasts or Drivers

Daylight controller for 1/10V ballasts.

Up to 80 ballasts can be controlled.

Wireless communication with the luminosity sensor (SE KNX 006 or SE KNX 007).

The use of wireless sensors allows to measure the luminosity over the job placement, achieving in this way optimal results.

The brightness threshold can be set by wireless sensor (SE KNX 007), remote control (CO REG R09) or by the KNX Bus using the CO KNX 002.

The system can work with or without motion detection function (wired: DM SEN T03 / wireless: DM KNX 001 or DM KNX 002).

As soon as any movement is detected, the lighting fixtures will be on if the daylight is under the set one. As soon as the time delay from the motion detection function elapses the lamps will be off.



## ACTUATORS

### RE KNX DA2: Daylight controller for DALI Ballasts or Drivers

Daylight controller for DALI ballasts.

Up to 64 ballasts can be controlled.

Wireless communication with the luminosity sensor (SE KNX 006 or SE KNX 007).

The use of wireless sensors allows to measure the luminosity over the work place, achieving in this way optimal results.

The brightness threshold can be set by wireless sensor (SE KNX 007), remote control (CO REG R09) or by the KNX Bus using the CO KNX 002.

The system can work with or without motion detection function (wired: DM SEN T03 / wireless: DM KNX 001 or DM KNX 002).

As soon as any movement is detected, the lighting fixtures will be on if the daylight is under the set one. As soon as the time delay from the motion detection function elapses the lamps will be off.



## DISPLAY

### CO KNX 004: USB/RF Interface Stick + Software

KNX-RF USB Interface Stick with Visualization and Control Software (Virtual Remote Control).

Establishes a bidirectional communication between a PC and the KNX-RF installation and allows the control of lighting, HVAC or blinds/shutters without wires.

Up to 16-channels and 8 scenes.



## COMMUNICATION

### CO KNX 001: DINUY/RF Interface

Communication interface between DINUY conventional Dimmers and any KNX-RF sensor.

Compatible with all DINUY modular dimmers. Unidirectional communication. At the moment that receives a RF signal from a sensor it transmits the order to the dimmers, being possible to regulate any type of load, thanks to the wide range of available dimmers.

Includes the signal repeater function.

Modular installation device.

DIN-rail mounting. 1-module wide.

Compatible with: EM KNX 002, PU KNX 001, RC KNX 001 & CO KNX 002.



### AM KNX 001: RF-signals Repeater

RF signals repeater. It enlarges the range between transmitters and actuators.

Up to 3 consecutive units can be used in the same installation.

Power supply: 230V~ 50Hz.

Dimensions: 45 x 45 x 12mm.

Compatible with any RF-KNX signal.



# Experience and energy awareness

In our commitment to new technologies we have developed, over the last years, a large range of KNX products, the worldwide open STANDARD for home and building control.

Our commitment with the environment has moved us to develop a large variety of intelligent installation products focussed on energy saving, to obtain maximum advantage from the natural conditions in all types of installation and reduce electricity energy consumption.

